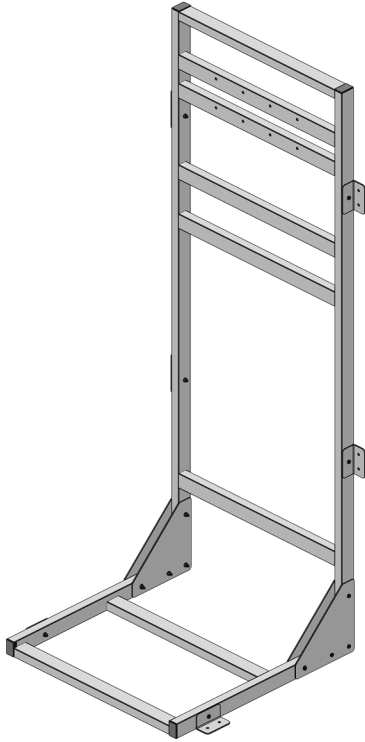


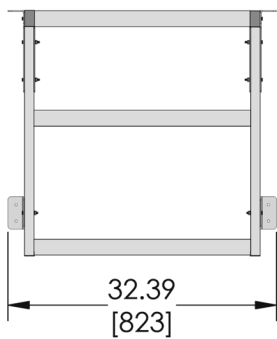
Floor Stand For Rinnai Wall Hung Commercial Boilers



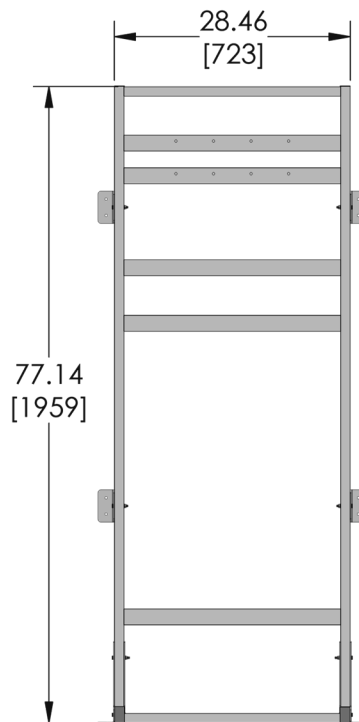
Product Name	Rinnai Commercial Boiler Floor Stand
Compatible with Rinnai Boiler Models	<ul style="list-style-type: none"> • RCB301AN • RCB399AN
Technical Specifications	<ul style="list-style-type: none"> • Material: Galvanized • Finish: Powder Coat • Color: Gray • Weight: 98 lbs (44 kg) • Box Dimension: 29.5" x 79.1" x 5.1" (750 mm x 2,010 mm x 130 mm)
Included with Purchase	<ul style="list-style-type: none"> • Floor Stand • Wall Screws with Dowels • Tube Caps • Assembly Instructions • Spare hardware for multiple stand connections
Features	<ul style="list-style-type: none"> • Free-standing installation with anchors for additional support • Heavy-duty construction for a reliable installation • Quick and easy installation • Powder-coated protection • Multiple stands can be connected side-by-side or back-to-back for multi-boiler installation.

DIMENSIONS in. [mm]

TOP



FRONT



SIDE



RINNAI.US RINNAI.CA • 1-800-621-9419